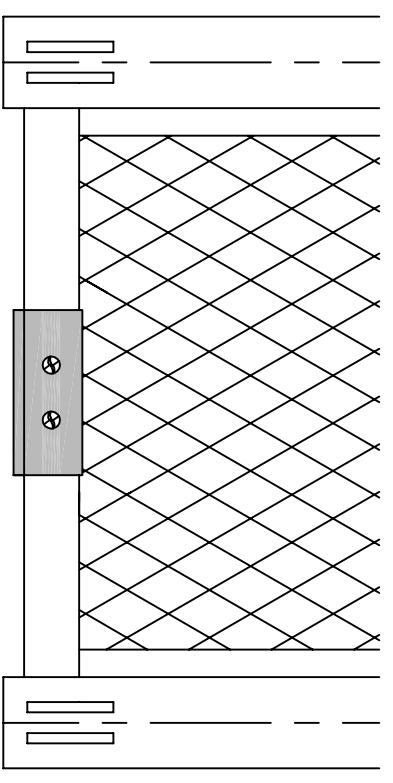
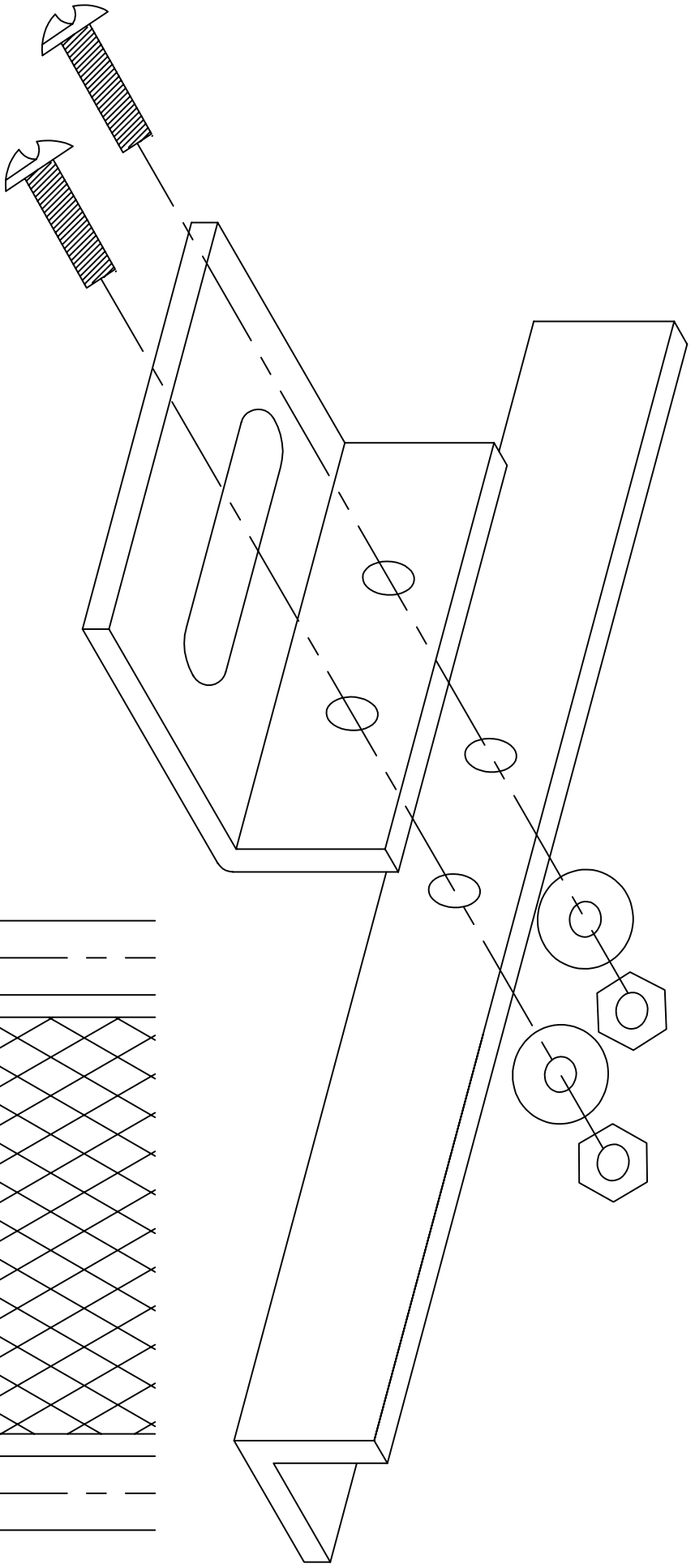


BACKFLOW PREVENTION DEVICE INNCLOSURES
3831 E. GROVE STREET
PHOENIX, ARIZONA 85040 (602) 426-1002

LOCKSHIELD BRACKET (LSB)

SCALE: NTS
DETAIL NO.
BPDl- 070908-3
REV. 0



BACKFLOW PREVENTION DEVICE INNCLOSURES
3831 E. GROVE STREET
PHOENIX, ARIZONA 85040 (602) 426-1002

BOLT-ON BRACKET (BOB)

SCALE: NTS
DETAIL NO.
BPDl-072408-3
REV. 0