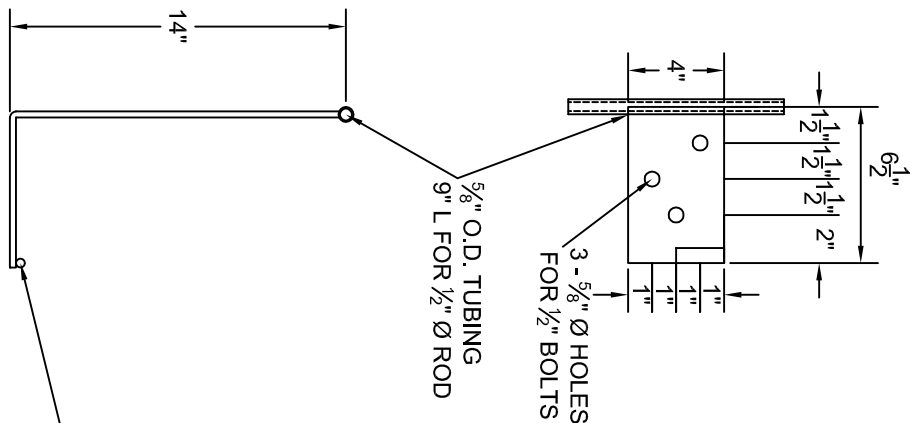


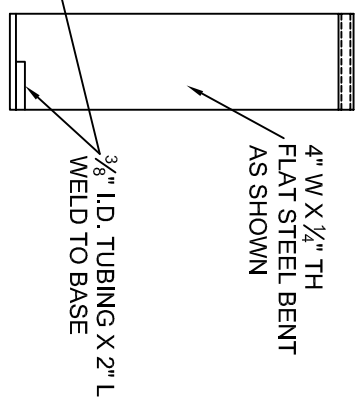
EZ VIEW 1

BACKFLOW PREVENTION DEVICE INNCLOSURES
 3831 E. GROVE STREET
 PHOENIX, ARIZONA 85040 (602) 426-1002

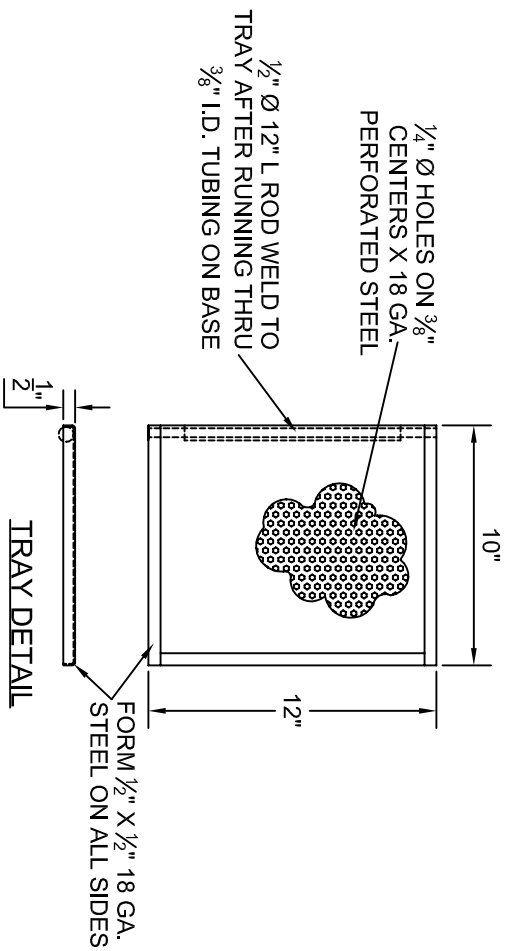
SCALE: 3" = 1'
 DETAIL NO.
 BPD1-081808
 REV. 0



BASE DETAIL



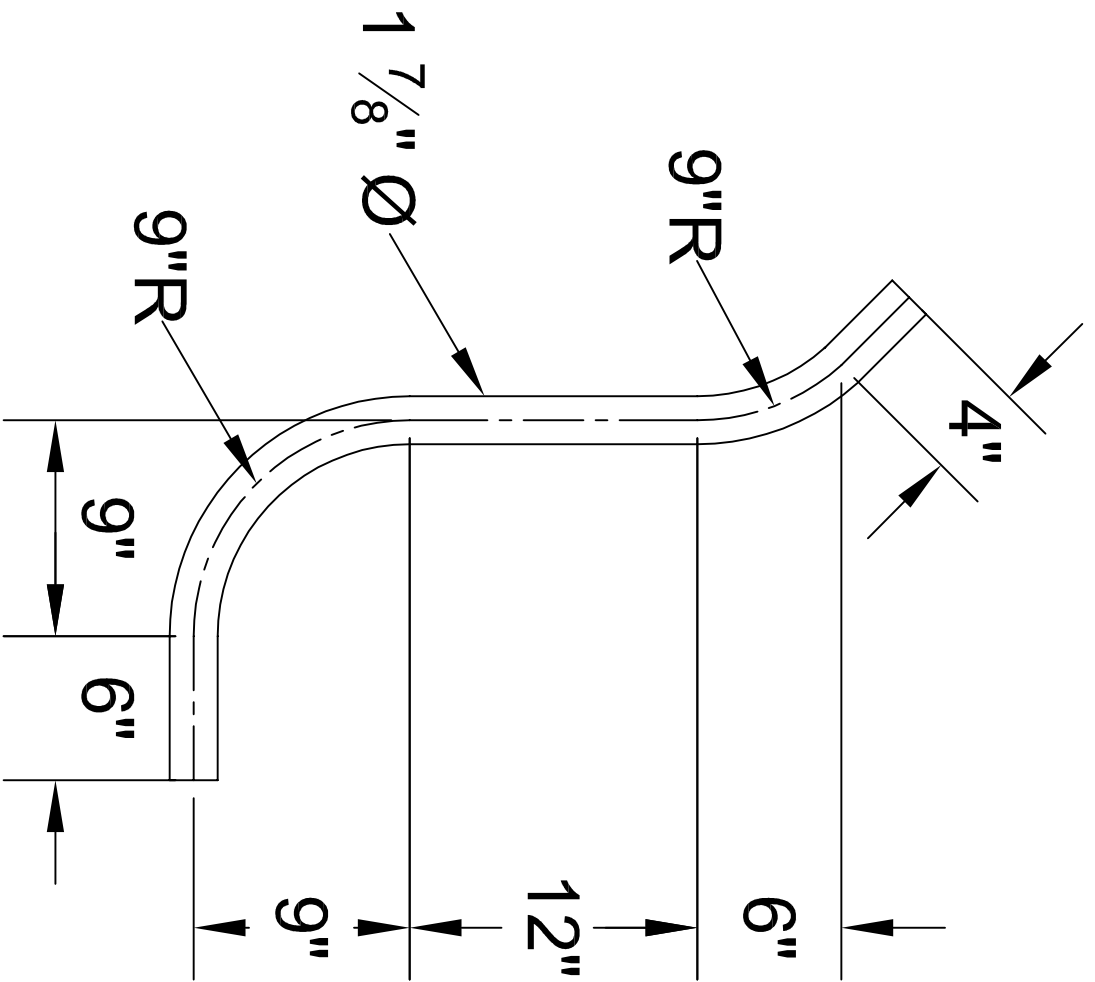
HOLDING ROD DETAIL



BACKFLOW PREVENTION DEVICE INNCLOSURES
 3831 E. GROVE STREET
 PHOENIX, ARIZONA 85040 (602) 426-1002

EZ VIEW 2

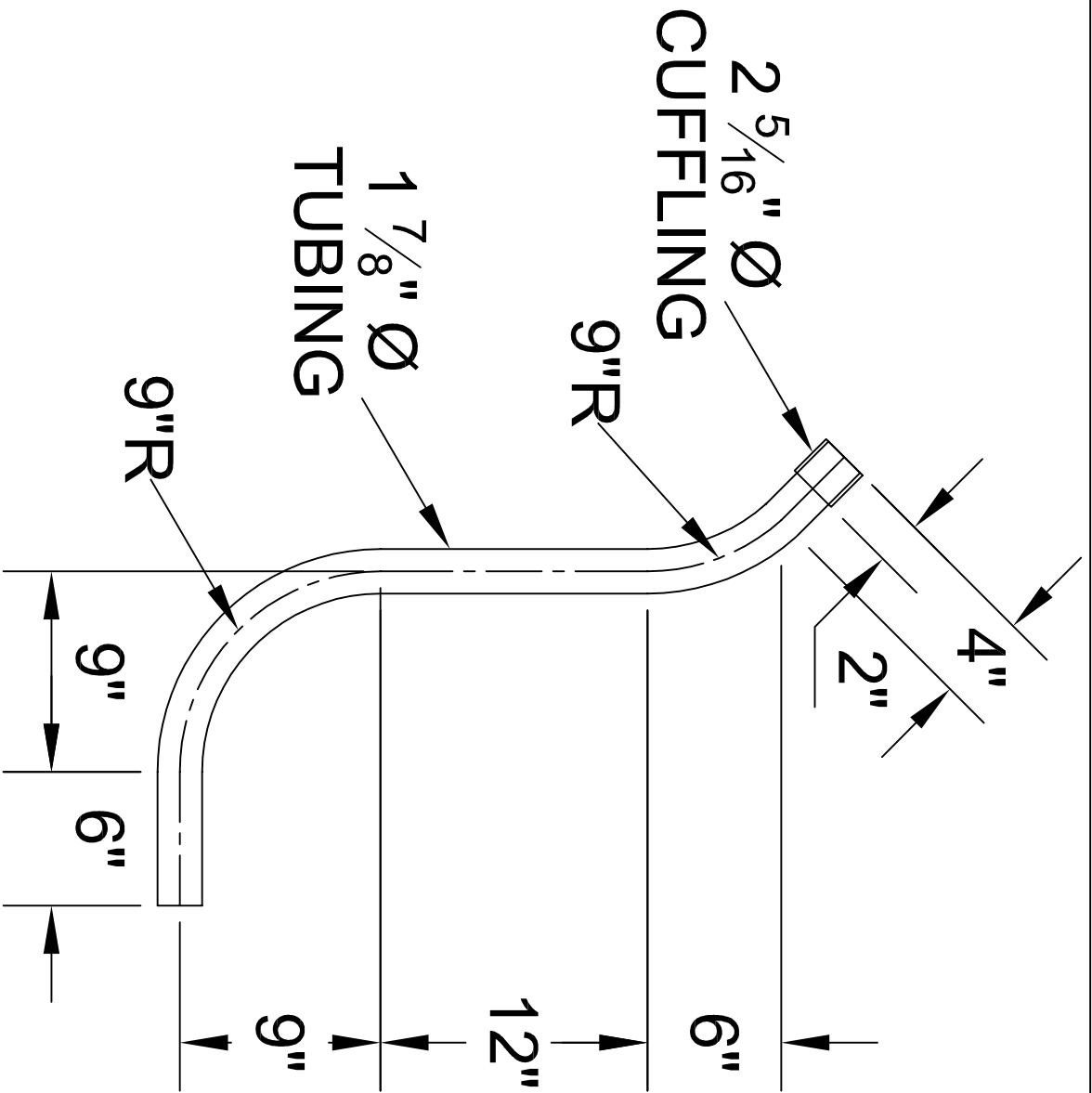
SCALE: 1 1/2" = 1'
 DETAIL NO. BPD1-073108
 REV. 0



BACKFLOW PREVENTION DEVICE INNCLOSURES
 3831 E. GROVE STREET
 PHOENIX, ARIZONA 85040 (602) 426-1002

EZ VIEW 3

SCALE: 1 1/2" = 1'
 DETAIL NO.
 BPDJ-081808-1
 REV. 0



2 5/16" Ø
CUFFLING

1 7/8" Ø
TUBING

9"R

9"R

9"

6"

6"

12"

9"

BACKFLOW PREVENTION DEVICE INNCLOSURES
3831 E. GROVE STREET
PHOENIX, ARIZONA 85040 (602) 426-1002

EZ VIEW 4

SCALE: 1 1/2" = 1'
DETAIL NO.
BPD1-081508
REV. 0