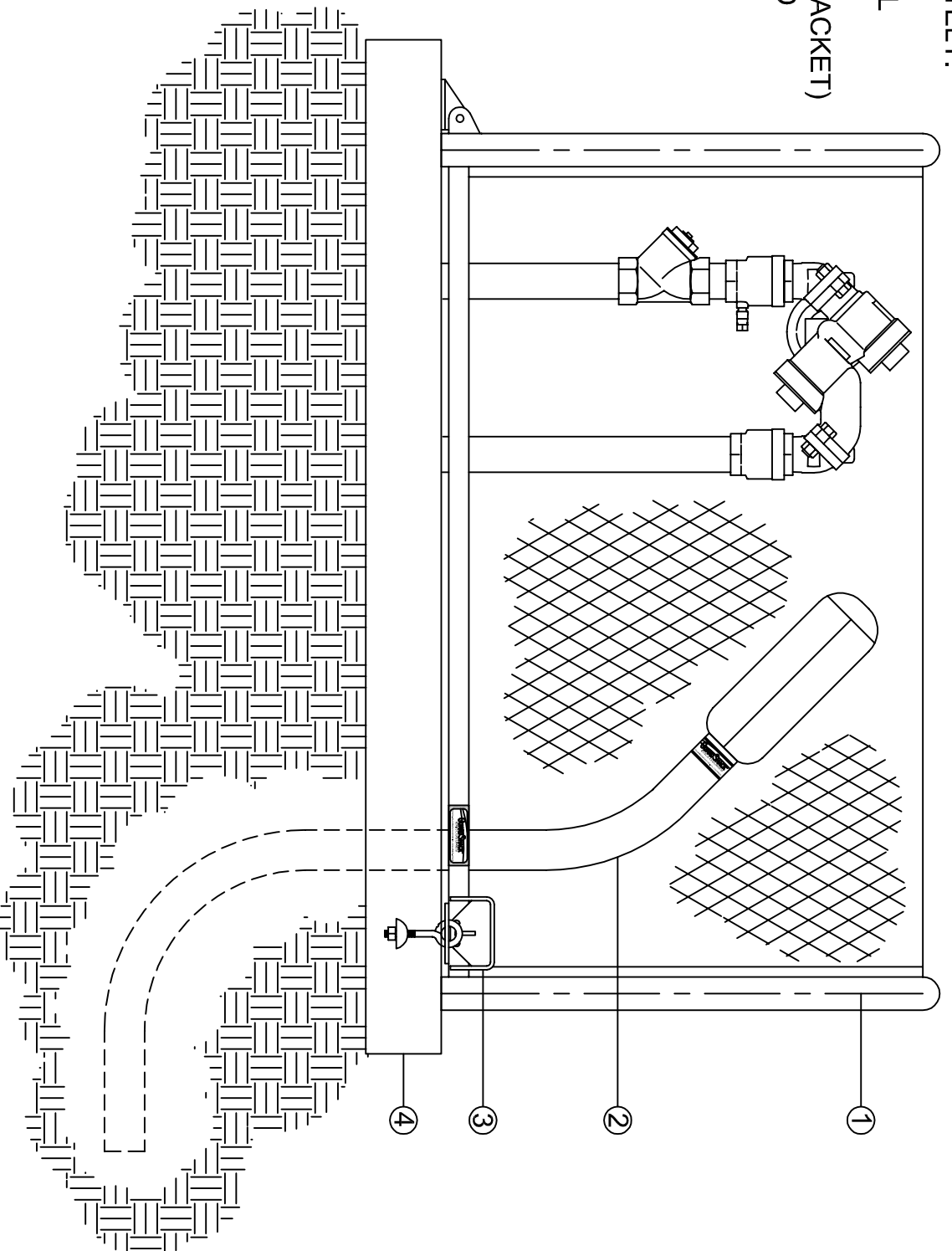


ALL ITEMS SOLD SEPARATELY.

- ① GS-3 10"W x 24"H x 40"L
- ② EZ VIEW III CONDUIT
- ③ LSB (LOCK SHIELD BRACKET)
- ④ EP-3 ENCLOSURE PAD



BACKFLOW PREVENTION DEVICE ENCLOSURES
3831 E. GROVE STREET
PHOENIX, ARIZONA 85040 (602) 426-1002

CONTROLLER ON GUARDSHACK™ EZ VIEW III PREFAB CONDUIT
SHOWN WITH GUARDSHACK™ GS-3, LSB, AND EP-3.

SCALE: 1 1/2" = 1'
DETAIL NO.
BPD- 110609
REV. 0