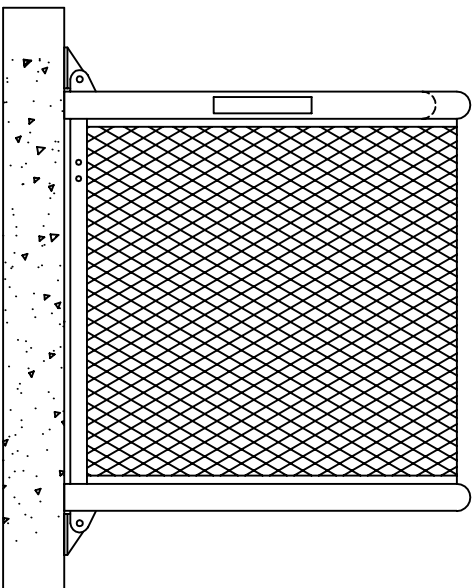
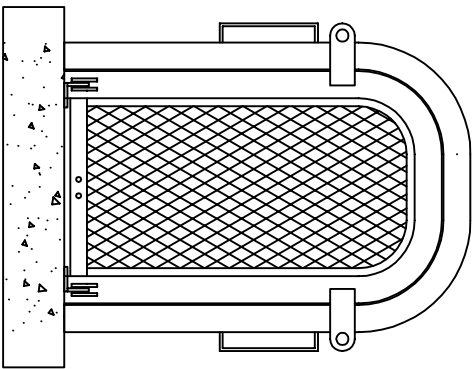


STANDARD GUARDSHACK™ ENCLOSURES



STANDARD GUARDSHACK™ AND COAST GUARDSHACK™ SIZES INTERNAL DIMENSIONS

GS - M1	16" W x 37" H x 18" L	HINGED W/ GATE
GS - M2	16" W x 48" H x 18" L	HINGED W/ GATE
GS - NP1	24" W x 40" H x 31" L	HINGED W/ GATE
GS - NP1.5	24" W x 40" H x 38" L	HINGED W/ GATE
GS - NP2	30" W x 48" H x 47" L	HINGED W/ GATE
GS - NP3	38" W x 60" H x 47" L	HINGED W/ GATE
GS - NP3.5	38" W x 60" H x 58" L	HINGED W/ GATE

For 304 S. S. , order as CGS using same model #

POWDERCOATED UNITS

Pre-powdercoat Treatment Process
Clean GuardShack™ unit with a S-44 alkaline cleaner, overflow rinse, apply an AC-8115 iron phosphate treatment, overflow rinse and finish with a #198 sealer rinse to prevent rusting and improve adhesion.

Powdercoat Treatment Process

Units shall be preheated and coated by electrostatic application of 2.0 to 3.5 mil thickness on all surfaces. Powder shall be RAL 1019 Woodlands Tan or TCI 8810-6058 Forest Green or approved equal Impact Resistance Finish. 160 inch pounds direct 160 inch pounds reverse, per ASTM D-2794 specs. Gloss Finish >85, per ASTM D-523. Adhesion to be rated excellent when tested to ASTM D-3359 standards.

STAINLESS STEEL ELECTRO-POLISH FINISH

All 304 Stainless Steel units shall be chemically electro-polished to impart a lustrous finish to the unit.

GUARDSHACK™ GENERAL SPECIFICATIONS

- All pipe shall be 1 ¼" schedule 40 A.S.T.M. A-53 Grade A- Electric Weld pipe.
- Angle Iron shall be 1" x 1" x 1/8" steel.
- Stainless steel units shall be 1 ¼" schedule 10 A.S.T. M. A-312 304 S.S.
- Expanded metal shall be ½" spacing x # 13 Ga. flattened diamond pattern steel.
- Stainless steel units shall be ½" spacing x # 13 Ga. flattened expanded metal diamond pattern type 304 S.S.
- All stainless steel expanded metal shall be sandblasted prior to fabrication to remove burrs, flashing and sharp edges.
- There shall be no exposed ends of expanded metal on the outside of the enclosure.
- Welding shall be a minimum of ¼" long welds on 4" spacing.
- Standard mounting brackets shall be welded on each end of lift off enclosures.
- One bracket on hinged units shall be welded on end opposite hinges.
- Hardware kits provided for mounting enclosures.
- On 304 S.S. units, all hinges, exposed hardware, and brackets shall be 304 S.S.
- All hardware shall be securely attached to enclosures.
- All enclosures shall withstand a minimum of 200 lbs. per square foot without any permanent deflection or distortion.
- 3/8" spacing between angle iron framework of enclosure and slab to prevent rusting.
- Only pipe ends to touch slab.

BPDl-GuardShack Enclosures
3831 E. GROVE STREET
PHOENIX, ARIZONA 85040 (602) 426-1002

GENERAL SPECIFICATIONS FOR STANDARD GUARDSHACK™ ENCLOSURES

SCALE: NTS
DETAIL NO.
BPDl- GATED
REV. 0