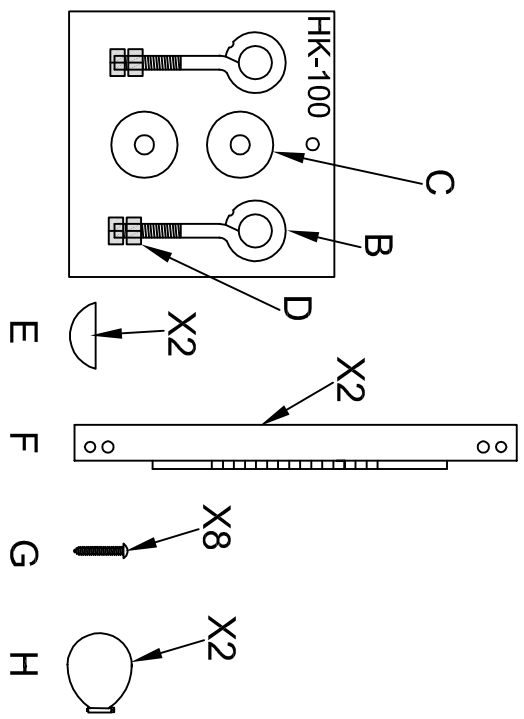
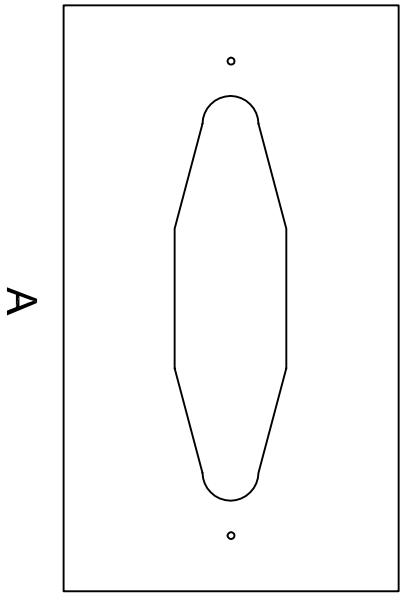
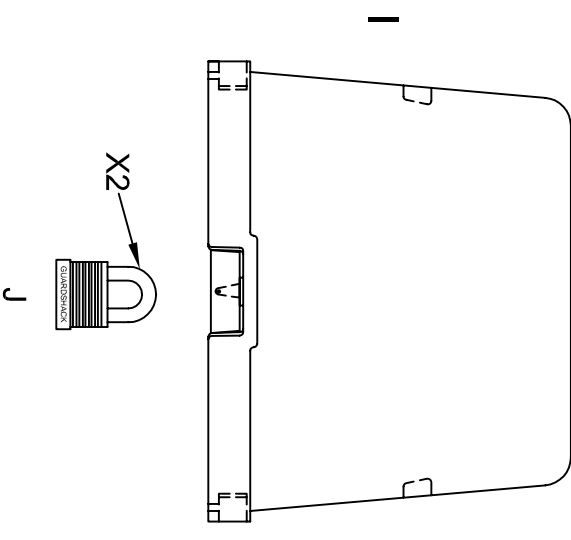


# ENCPAD ASSEMBLY PARTS

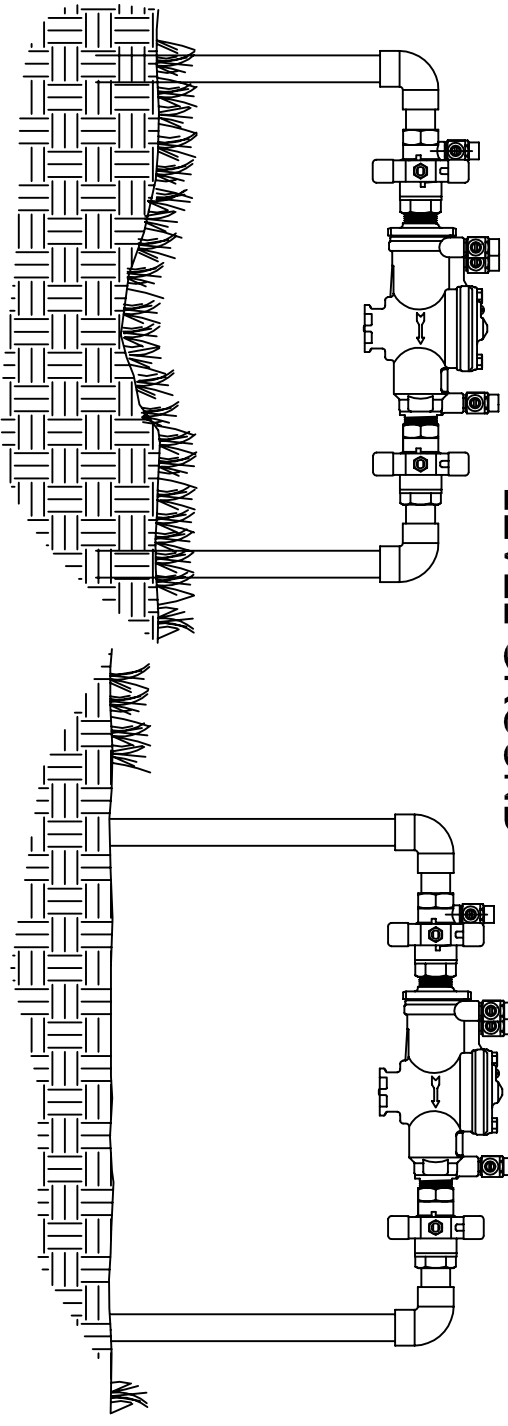


GUARDSHACK AND LOCKS SOLD SEPARATELY



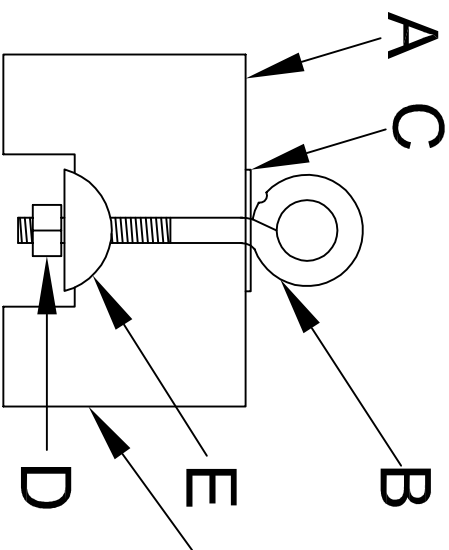
## STEP 1

### LEVEL GROUND



## STEP 2

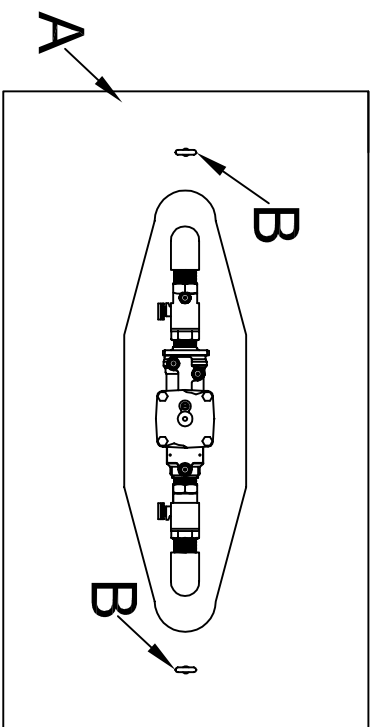
### ATTACH EYE-BOLT



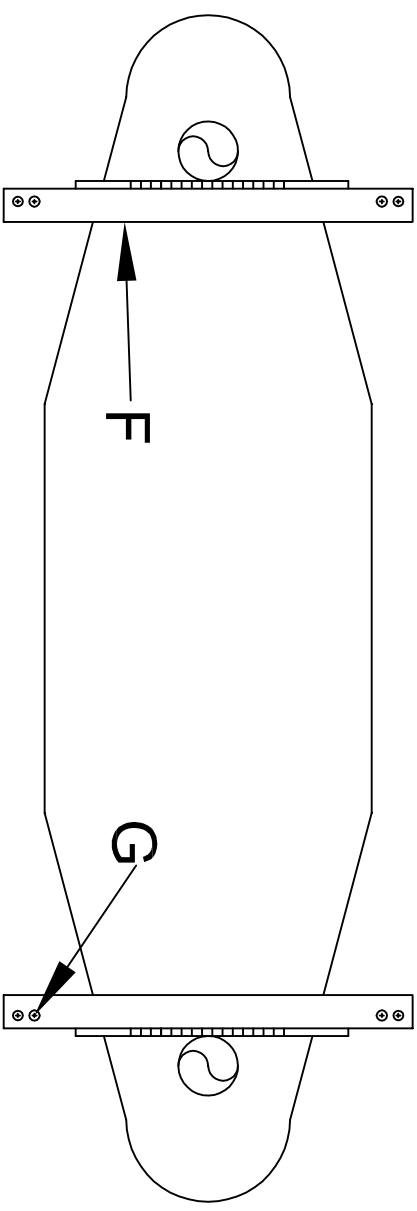
FOR LIFT-OFF MODELS

WWW.GUARDSHACKENCLOSURES.COM  
 (602) 426-1002 (800) 266-5411

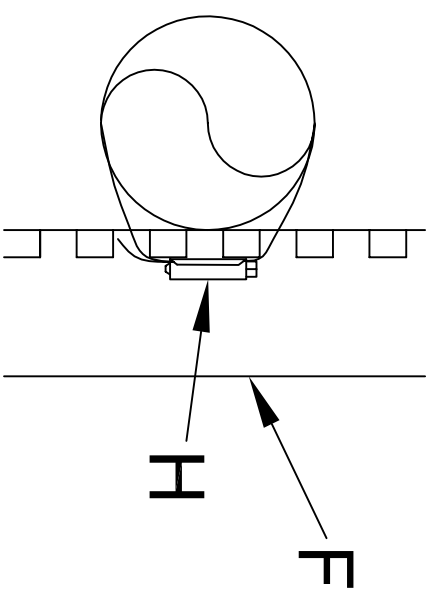
**STEP 3**  
**POSITION PAD**



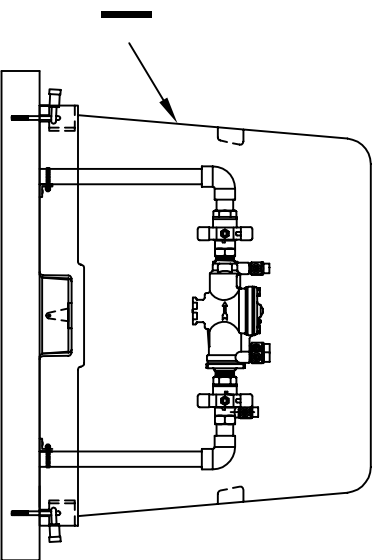
**STEP 4**  
**INSTALL BRACKETS**



**STEP 5**  
**INSTALL CLAMP**



**STEP 6**  
**INSTALL GUARDSHACK & LOCKS**



**DON'T FORGET THE LOCKS**

