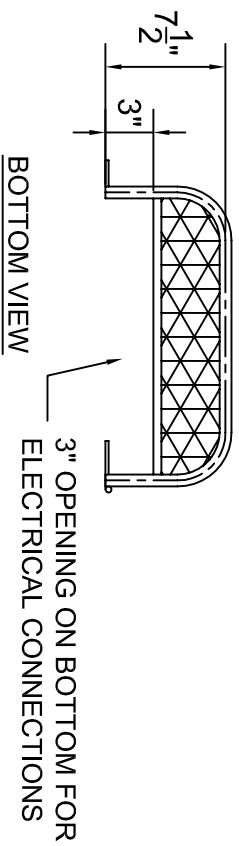
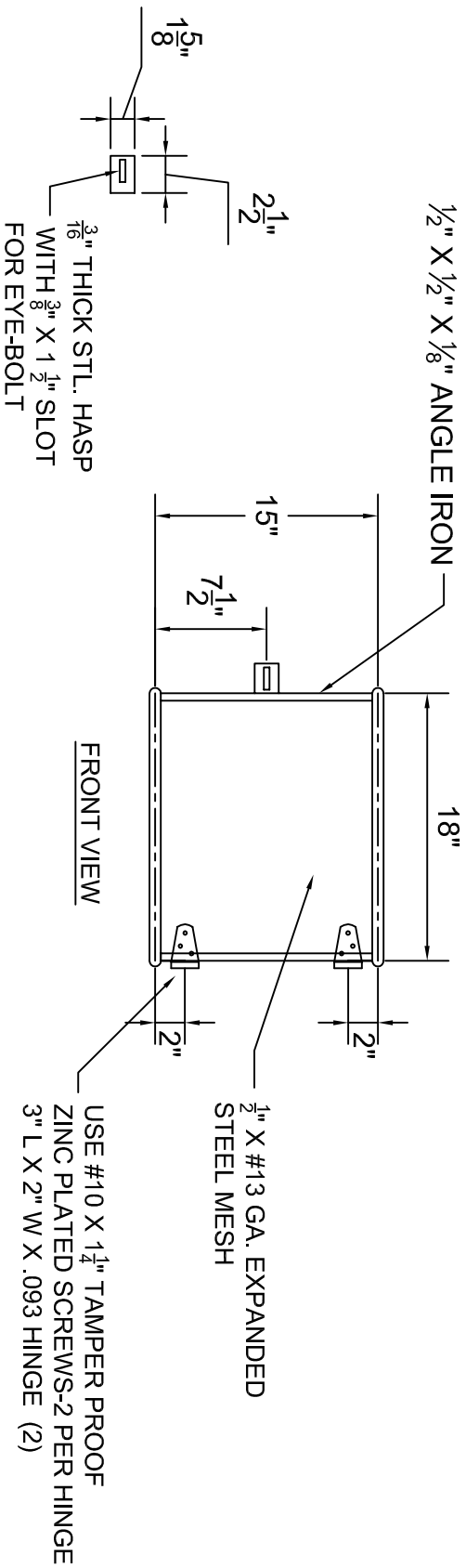
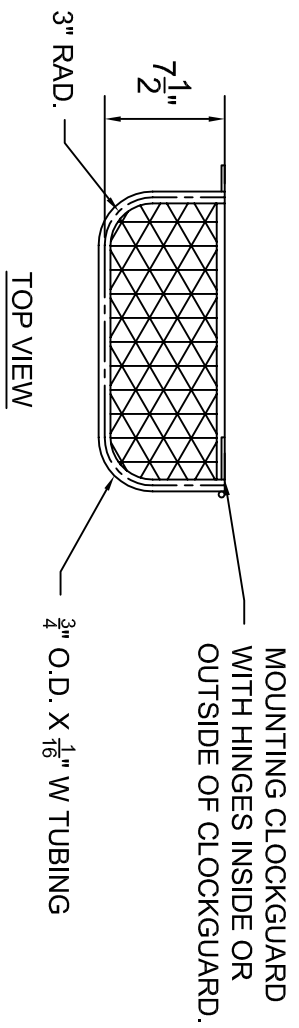


BACKFLOW PREVENTION DEVICE INNCLOSURES  
 3831 E. GROVE STREET  
 PHOENIX, ARIZONA 85040 (602) 426-1002

# STANDARD CLOCKGUARD-1

SCALE: 1" = 1'  
 DETAIL NO.  
 BPD1-070808-1  
 REV. 0



BACKFLOW PREVENTION DEVICE INNCLOSURES  
 3831 E. GROVE STREET  
 PHOENIX, ARIZONA 85040 (602) 426-1002

# STANDARD CLOCKGUARD-2

SCALE: 1" = 1'0"  
 DETAIL NO. BPD1-070808-1  
 REV. 0