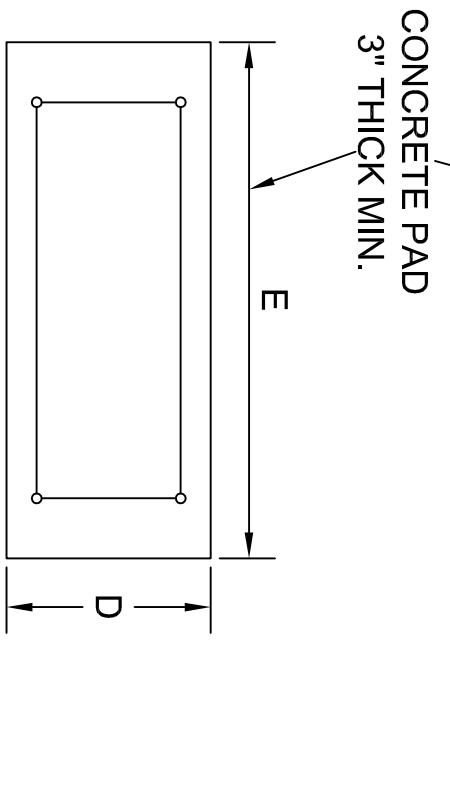


**INTERNAL DIMENSIONS**

	A	B	C	D	E
GS-M-1	16"	37"	18"	26"	30"
GS-M-2	16"	48"	18"	26"	30"
GS-M-3	16"	37"	39 1/2"	26"	61"
GS-M-4	16"	48"	39 1/2"	26"	61"



**FOR SPECIFICATIONS SEE DRAWING BPD1-5.0**

BACKFLOW PREVENTION DEVICE ENCLOSURES  
 3831 E. GROVE STREET  
 PHOENIX, ARIZONA 85040 (602) 426-1002

**GUARDSHACK™ M STYLE PAD SIZING**

SCALE: 3/4" = 1'  
 DETAIL NO. BPD1- 112508-3  
 REV. 0