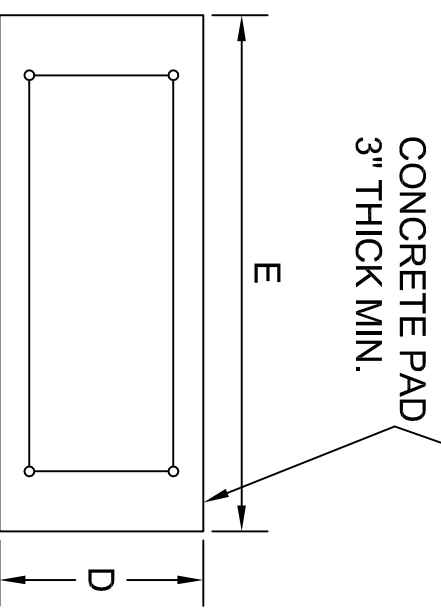


INTERNAL DIMENSIONS		A	B	C	D	E
GS-4.5	16"	30"	64"	26"	86"	
GS-5	24"	40"	66"	34"	88"	
GS-6	24"	40"	80"	34"	102"	
GS-7	30"	48"	99 1/2"	40"	122"	
GS-8	38"	60"	99 1/2"	48"	122"	
GS-8.5	38"	60"	120"	48"	142"	



FOR SPECIFICATIONS SEE DRAWING BPD1-5.0

BACKFLOW PREVENTION DEVICE ENCLOSURES
 3831 E. GROVE STREET
 PHOENIX, ARIZONA 85040 (602) 426-1002

GUARDSHACK™ CLAMSHELL PAD SIZING

SCALE: 3/4" = 1'
 DETAIL NO.
 BPD1- 112508-2
 REV. 0