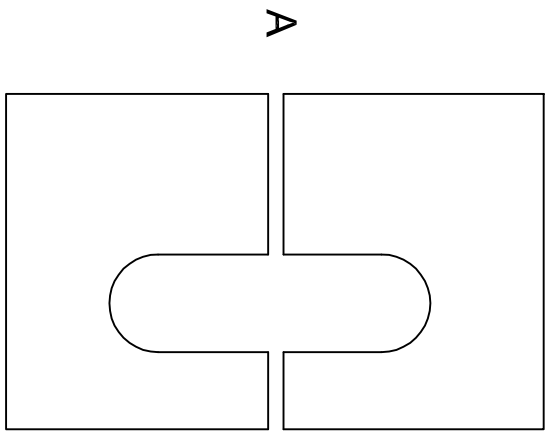


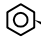

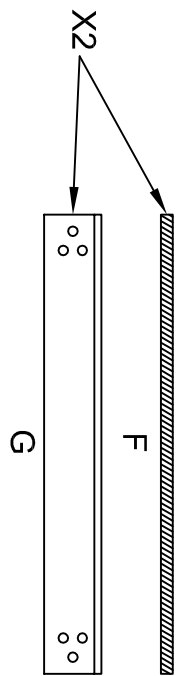


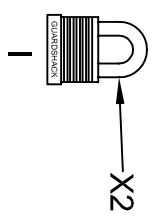
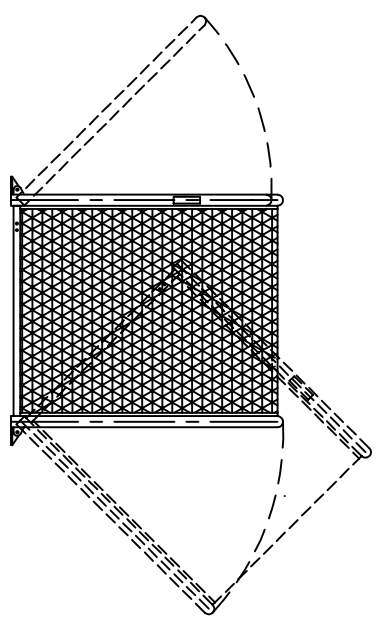
ENCPAD ASSEMBLY PARTS



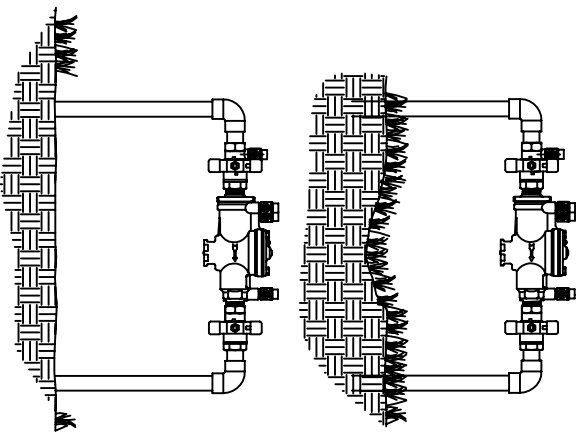
- X28 B 
- X4 C 
- X4 D 
- X4 E 



GUARDSHACK, LSB, AND LOCKS SOLD SEPARATELY

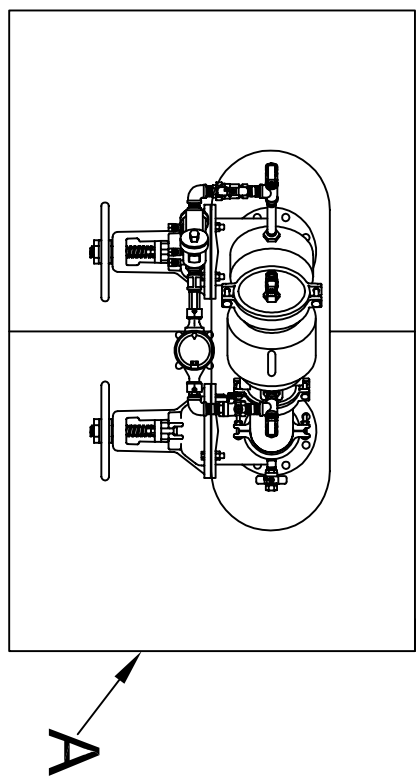


STEP 1 LEVEL GROUND

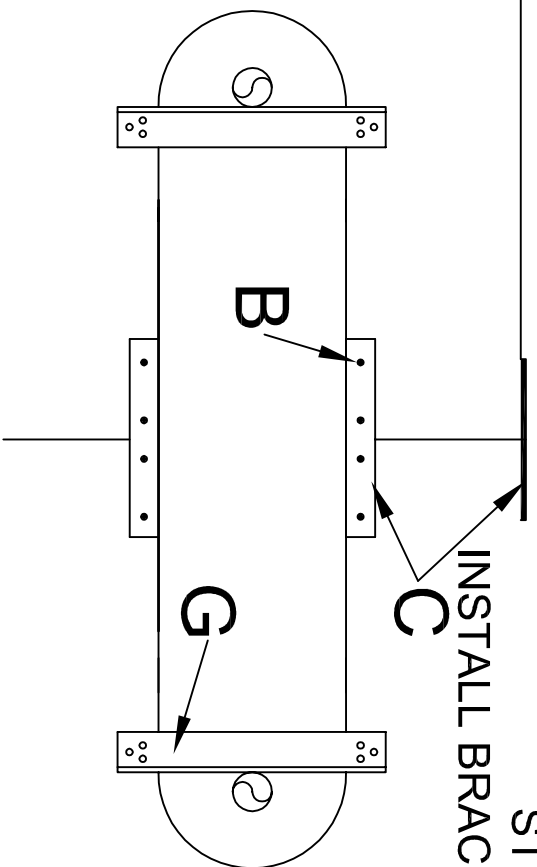


FOR LARGE GATED MODELS

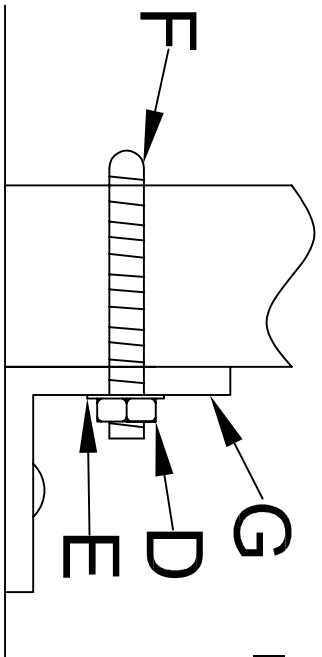
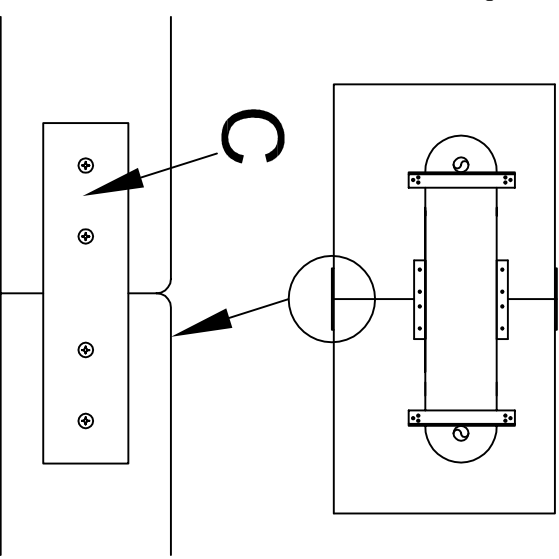
STEP 2 POSITION PAD



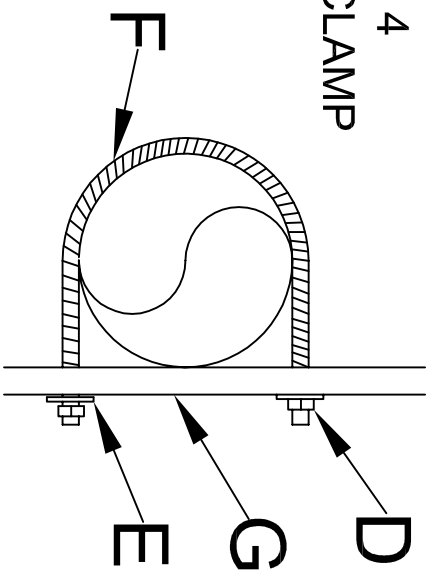
WWW.GUARDSHACKENCLOSURES.COM
 (602) 426-1002 (800) 266-5411



STEP 3
INSTALL BRACKETS & BRACES



STEP 4
INSTALL CLAMP



STEP 5
INSTALL GUARDSHACK & LOCK

DON'T FORGET THE LOCKS

