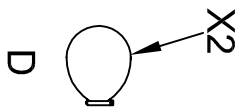
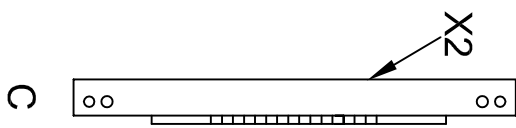
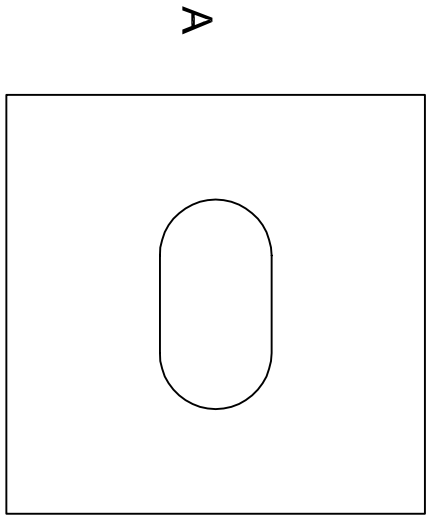
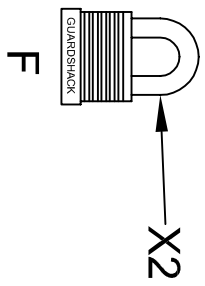
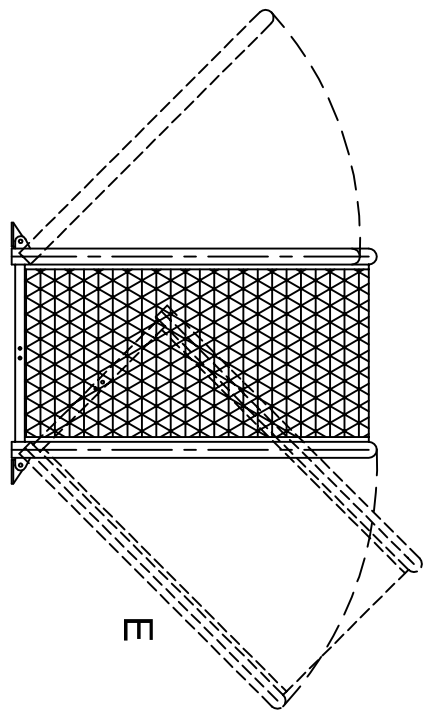


# ENCPAD ASSEMBLY PARTS

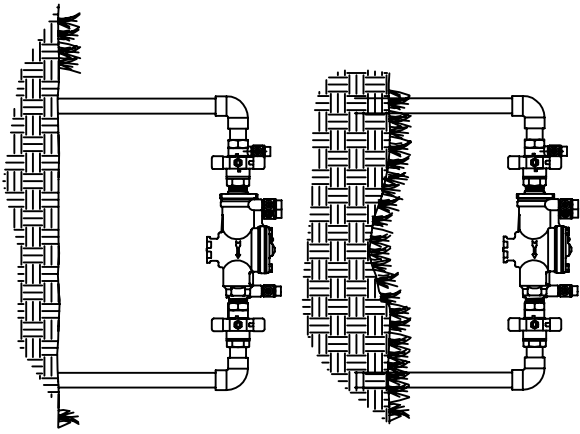


GUARDSHACK AND LOCKS SOLD SEPARATELY



## STEP 1

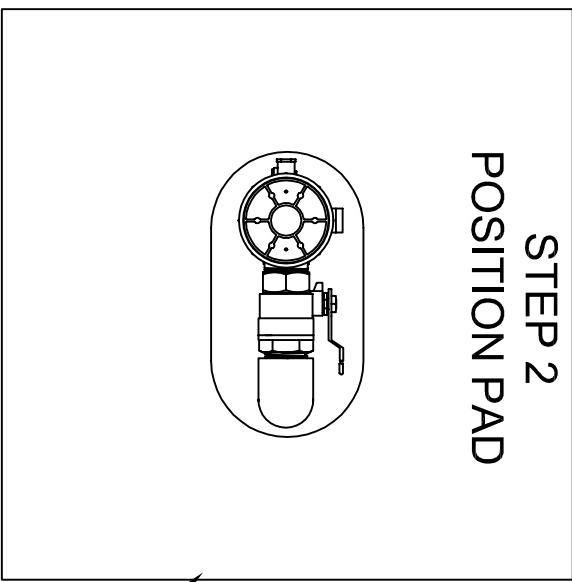
### LEVEL GROUND



FOR SMALL GATED MODELS

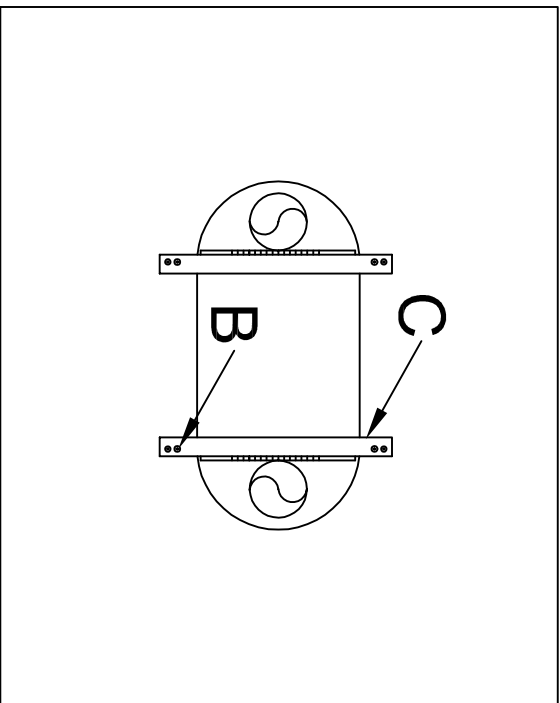
## STEP 2

### POSITION PAD

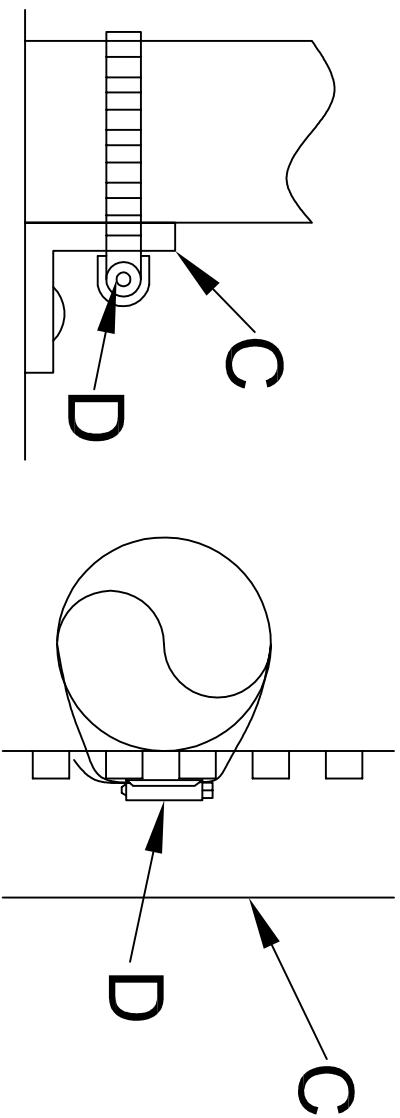


WWW.GUARDSHACKENCLOSURES.COM  
(602) 426-1002 (800) 266-5411

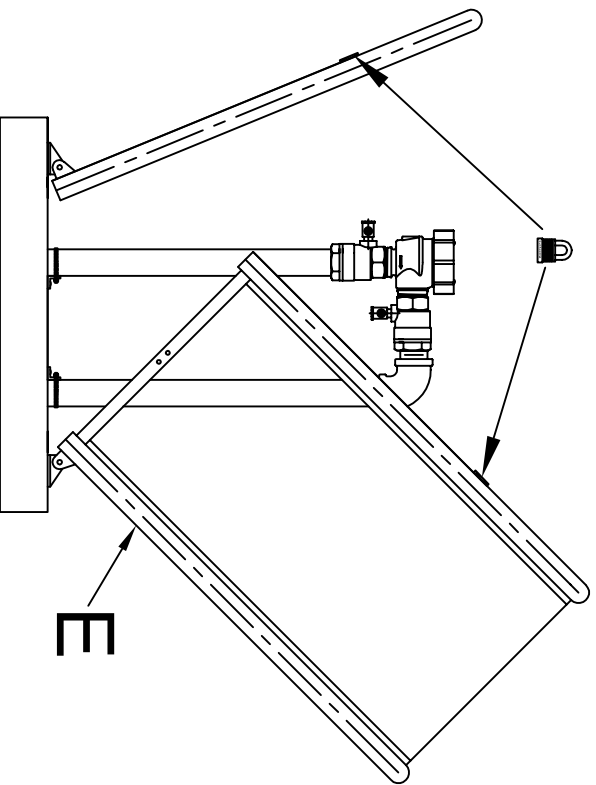
**STEP 3  
INSTALL BRACKETS & BRACES**



**STEP 4  
INSTALL CLAMP**



**STEP 5  
INSTALL GUARDSHACK & LOCKS**



**DON'T FORGET THE LOCKS**

