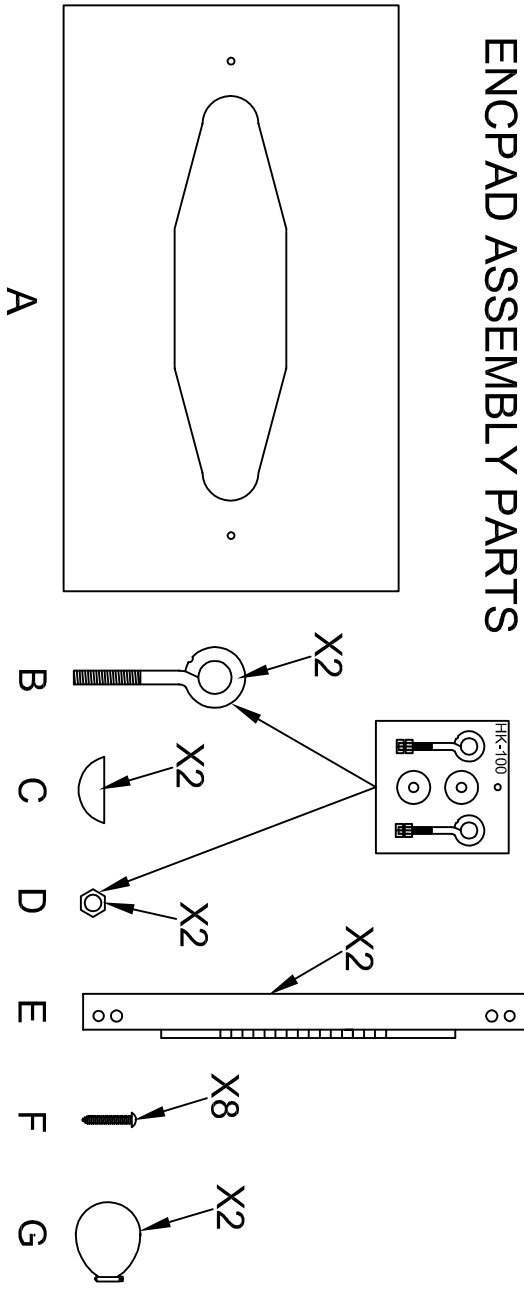
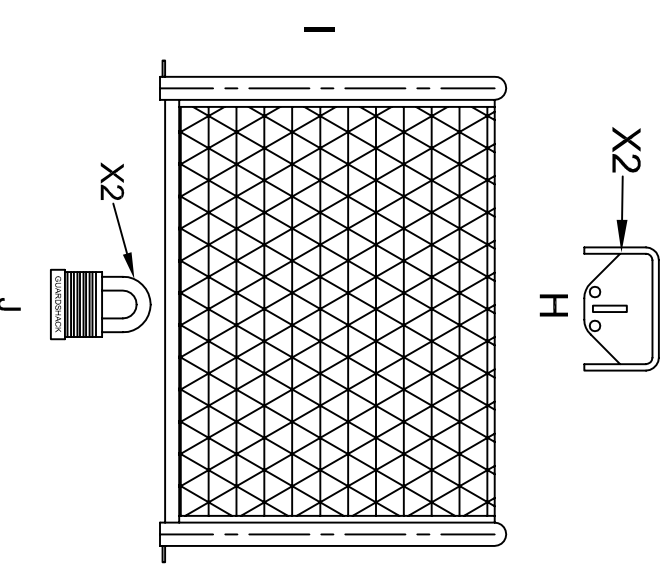


ENCPAD ASSEMBLY PARTS

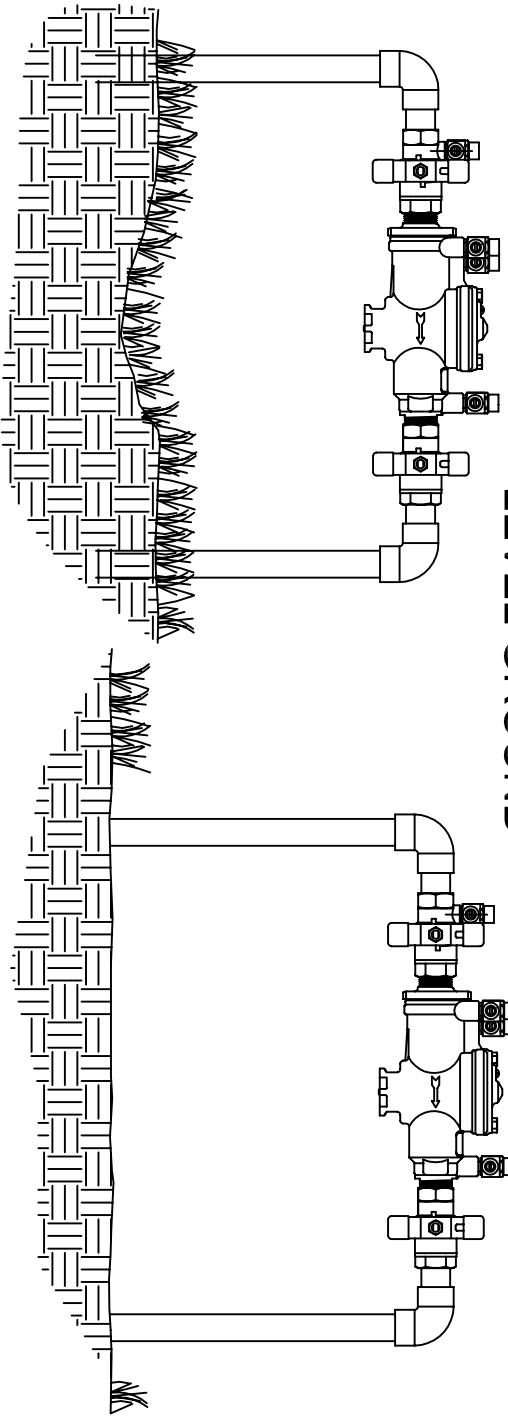


GUARDSHACK, LSB, AND LOCKS SOLD SEPARATELY



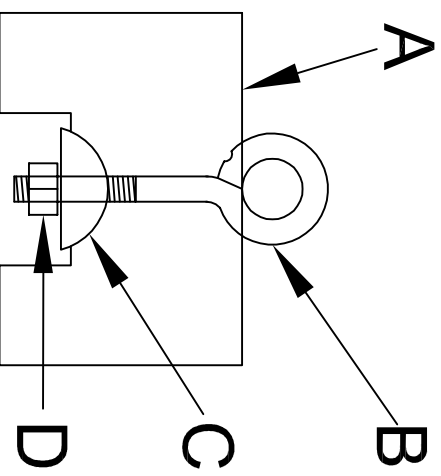
STEP 1

LEVEL GROUND



STEP 2

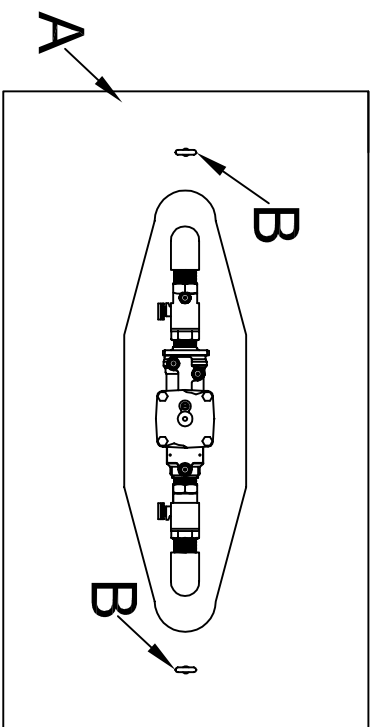
ATTACH EYE-BOLT



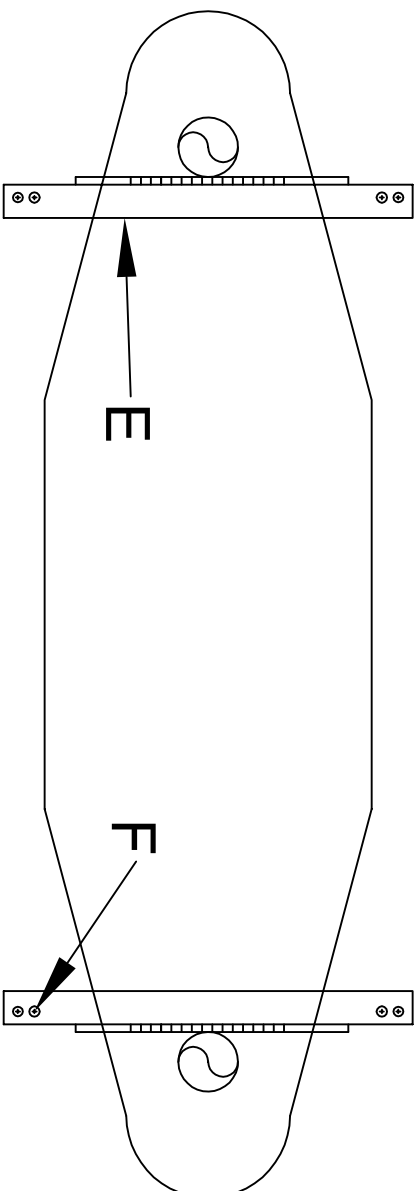
FOR LIFT-OFF MODELS

WWW.GUARDSHACKENCLOSURES.COM
 (602) 426-1002 (800) 266-5411

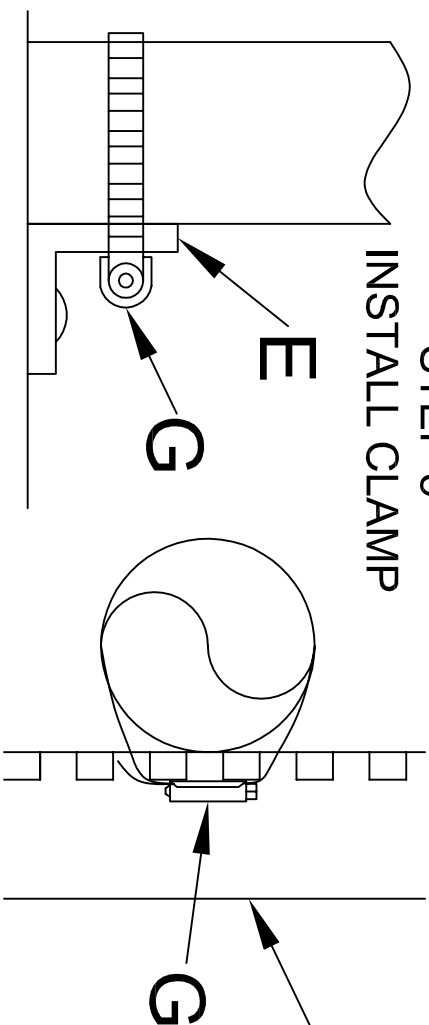
**STEP 3
POSITION PAD**



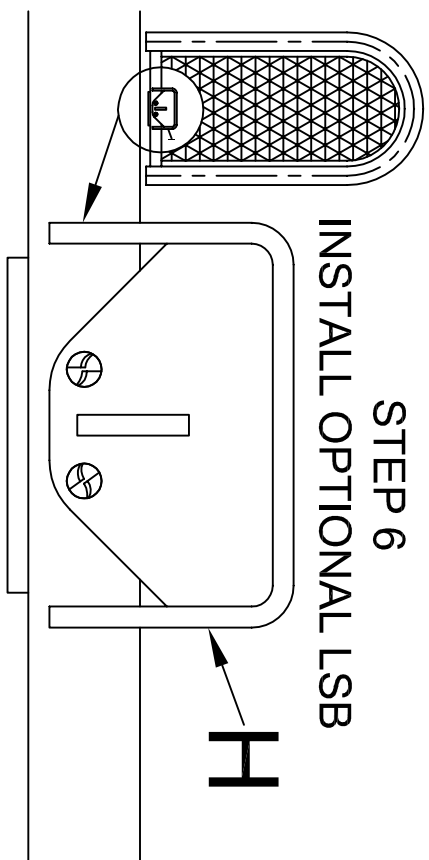
**STEP 4
INSTALL BRACKETS**



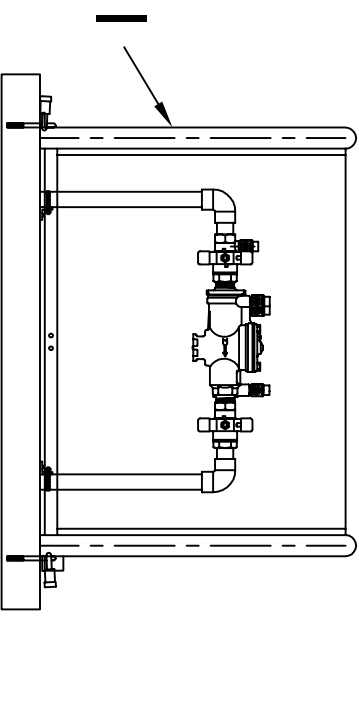
**STEP 5
INSTALL CLAMP**



**STEP 6
INSTALL OPTIONAL LSB**



**STEP 7
INSTALL GUARDSHACK & LOCKS**



DON'T FORGET THE LOCKS

