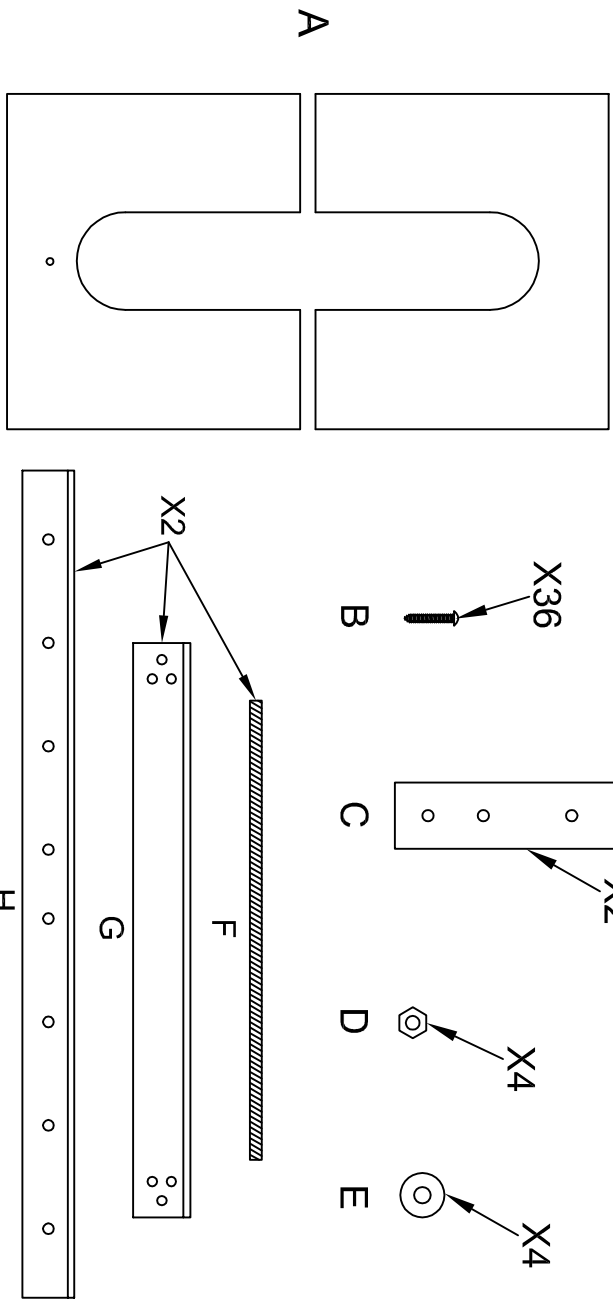
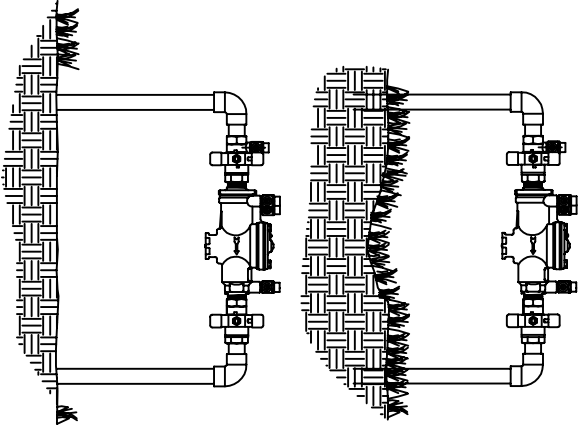


ENCPAD ASSEMBLY PARTS

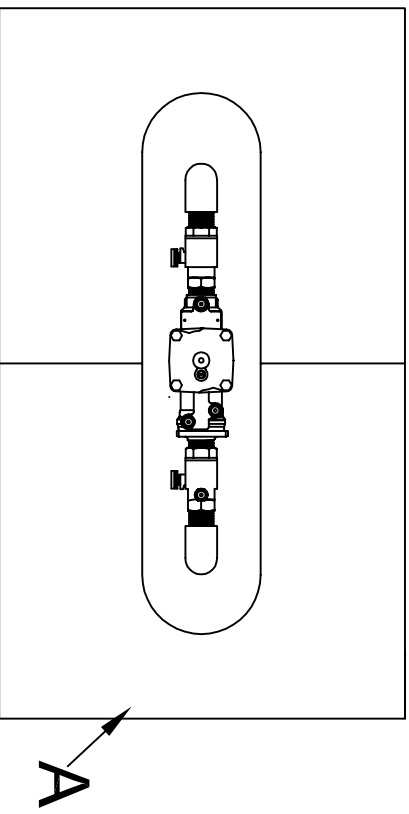


GUARDSHACK, LSB, AND LOCKS SOLD SEPARATELY

STEP 1 LEVEL GROUND



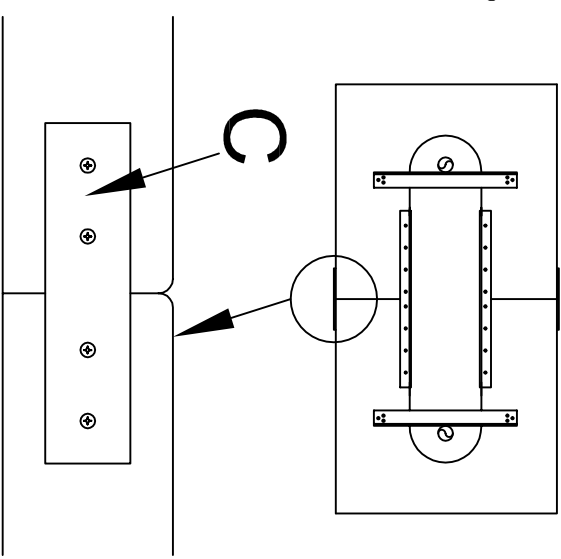
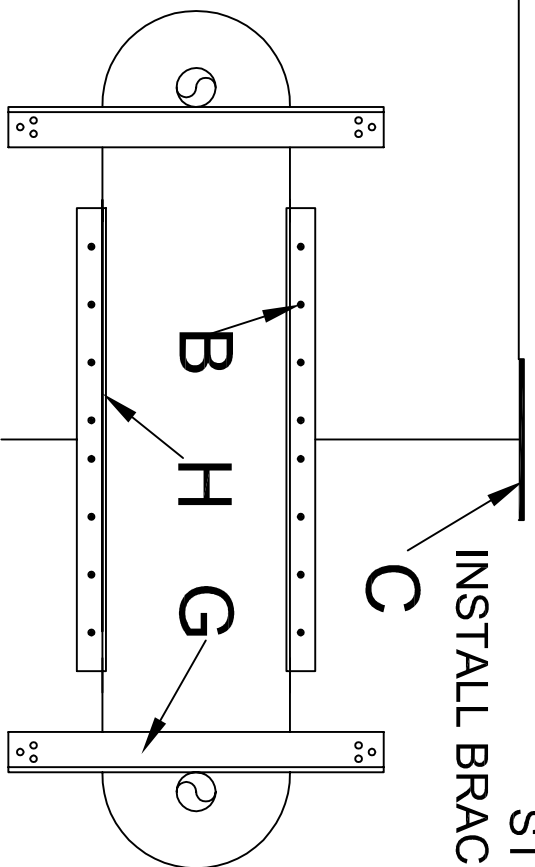
STEP 2 POSITION PAD



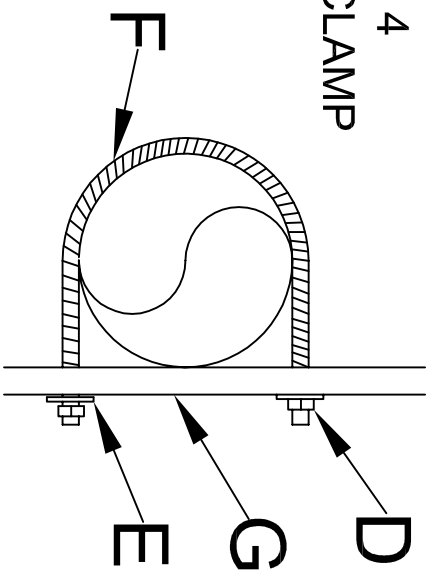
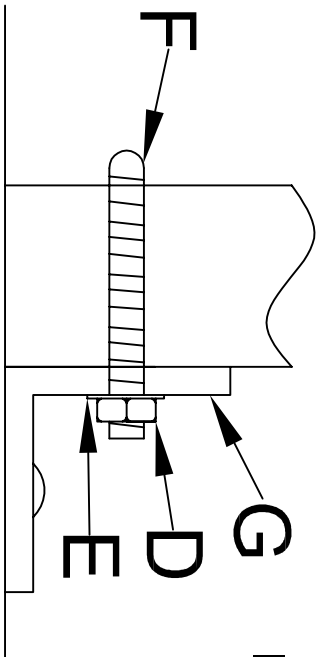
FOR SMALL CLAMSHELL MODELS

WWW.GUARDSHACKENCLOSURES.COM
 (602) 426-1002 (800) 266-5411

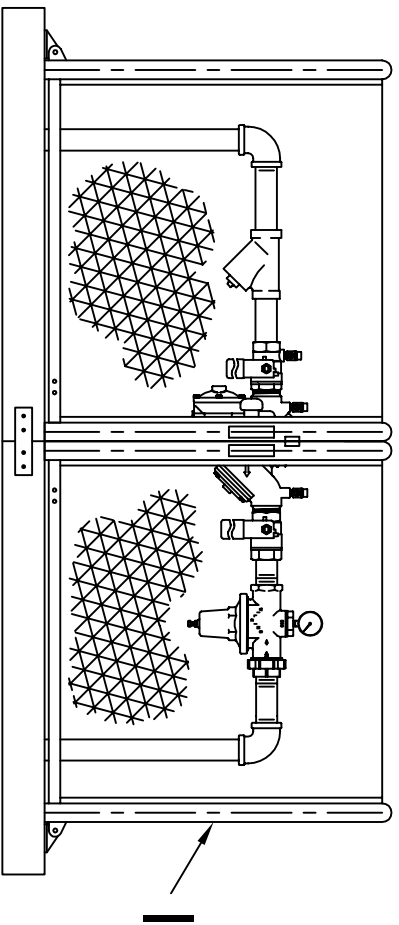
STEP 3
INSTALL BRACKETS & BRACES



STEP 4
INSTALL CLAMP



STEP 5
INSTALL GUARDSHACK & LOCK



DON'T FORGET THE LOCKS

